



# AMP® SleekPro MR11 Downlight (Lamp-Ready)

## Product Description

The AMP® Ultra-Slim Brass (Bronze) Downlight fixture is a thin and slim light that can be used for up or down lighting. The 40' lead wire makes for easy installation in higher areas without the needing to splice. It utilizes an MR11 lamp (sold separately) and comes with a lifetime warranty. The Ultra-Slim 12V Adjustable Outdoor Brass Downlight can be mounted using one of our surface, tree, or tripod mounts.



## Specifications

- **Construction:** Solid Cast Brass
- **Light Source:** LED MR11 (sold separately)
- **Lens:** Flat Clear Glass
- **Mounting:** Surface, Tree or Tripod Mount
- **Lead Wire:** 18 AWG Wire
- **Maximum Lamp Rating:** 20W
- **Operating Voltage Range:** 12V AC
- **Powered Supply:** AMP's Low Voltage Transformer

Item Number	Lead Wire	Voltage	Max Lamp	Material
AAL-1034-40-B-BZ	18 AWG	12V AC	20W	Brass

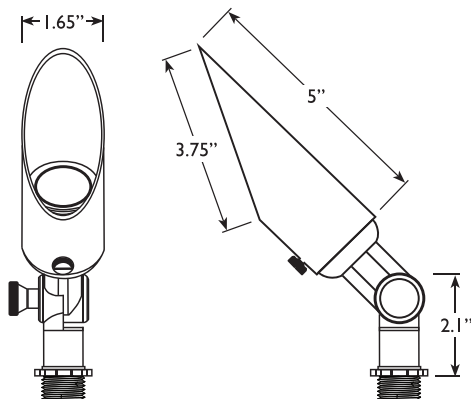
## Features & Benefits

- Solid Brass Construction with Bronze finish
- Sealed to prevent moisture when used for up/down lighting
- Adjustable knuckle allows light to be precision aimed
- Strip resistant threading provides mounting stability
- Beryllium copper socket - more corrosion resistant
- Pre-aged finish; natural patina that does not corrode

## Certifications



## Product Dimensions



## Warranty

Residential: Lifetime Warranty  
Commercial: Lifetime Warranty

Specifications subject to change without notice.